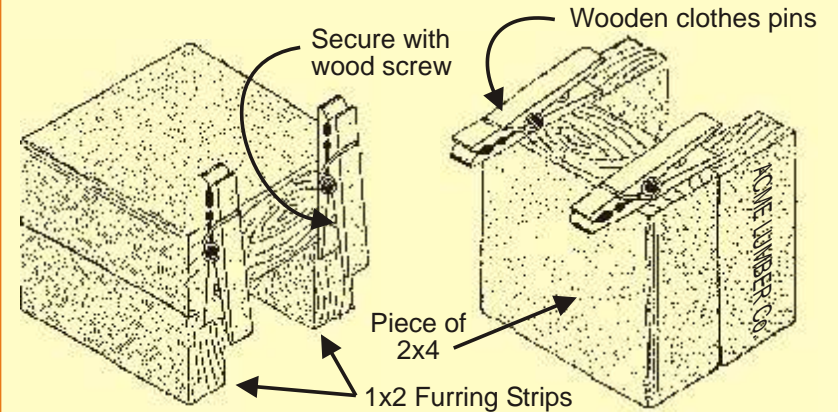


The *AMBIDEXTROUS THIRD-HAND*

by Baity Bartel, W2LQ (Denton, TX) • Illustrated by Paul Harden

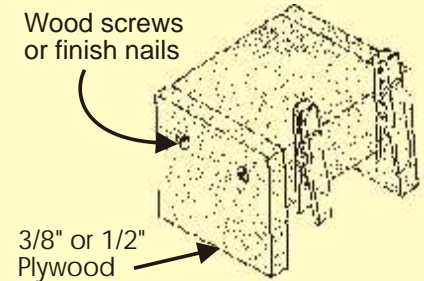
Here's a quick project proving that sometimes the simplest projects can be the most useful ... and best of all, the estimated cost to build is 10¢ (maybe 25¢ in some locales). Looking at this simple approach, one can immediately see all sorts of variations to suit one's individual needs on the work bench.



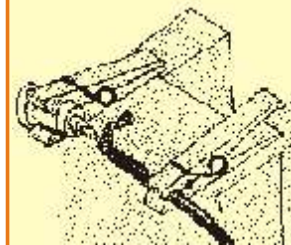
Left-hand or Vertical Usage

Right-hand or Horizontal Usage

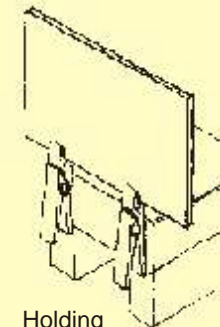
The 1x2 furring strips can be affixed with wood glue or recessed wood screws. An alternative approach is shown to the right, using two pieces of plywood cut to the same size. Making it square on all sides, like a box, makes it very useful by positioning it in different configurations.



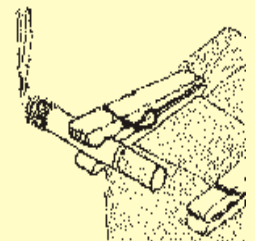
SOME APPLICATIONS . . .



Assembly jig for cables, wiring and soldering connectors



Holding circuit boards, panels, etc. for assembly, soldering or painting.



Cigarette holder (In the 60's, known as a "roach clip")